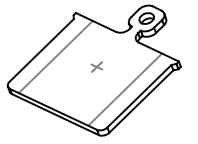
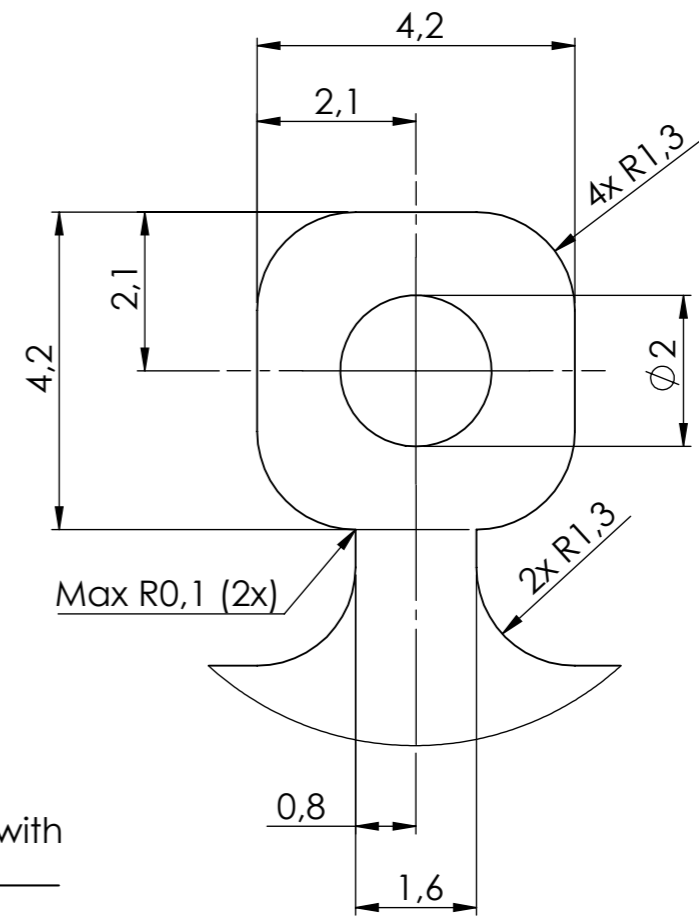
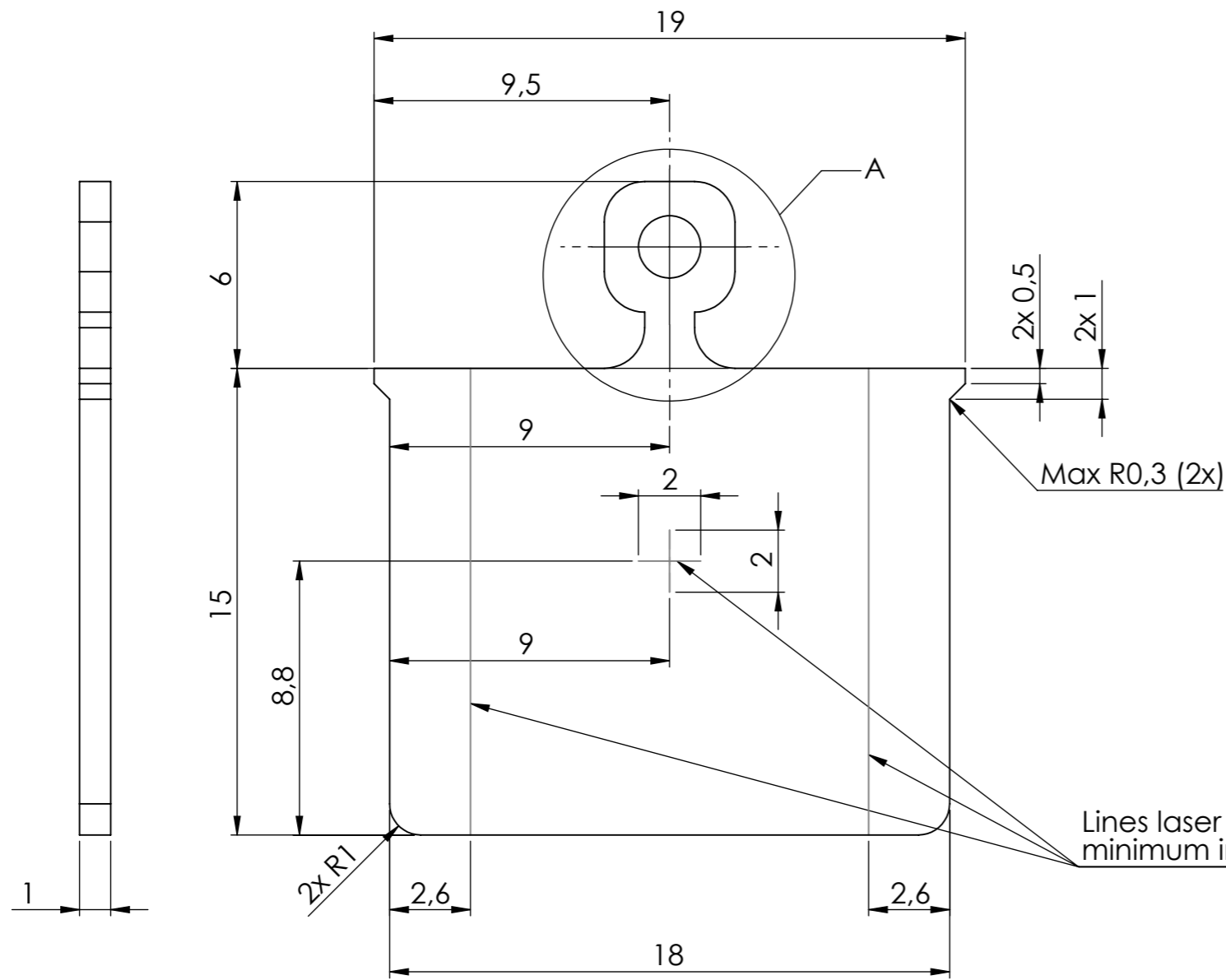


Rev	Note	CreatedBy	Appr.Date



SCALE 1 : 1



DETAIL A
SCALE 10 : 1

Lines laser engraved with minimum impact

Designer JS	Date 2020-11-04	Tolerance SS-ISO 2768-1 f H	Material OFC Copper CW0008A	Weight 0.00 kg		
Sample plate, Copper, with marking			Scale 5:1	Format A3	Page 1/1	Revision
Bloch				Drw No. 242372	Revision A	

